

# S76 ELITE SR2



## LPCB CERTIFIED STEEL SECURITY SHUTTER :: TECHNICAL DATASHEET 22

Manufactured by Aluroll

A high security, insurance-approved steel shutter suitable for commercial sites and shop fronts. The S76 Elite has been tested by the Loss Prevention Certification Board (LPCB) to LPS 1175 (7.0), and also awarded 'Secured by Design' status. An SR1 rated vision variant is also available - see P76 Elite SR1, Datasheet 24.



### APPLICATIONS

High security commercial sites & shopfront applications. The S76 Elite has been tested by the Loss Prevention Certification Board and awarded 'Secured by Design' status. The shutter is tested to LPS1175 (7.0), and is security rated at SR2. Suitable for internal face or reveal fix installations.

### LOCKING MECHANISMS

The S76 incorporates a bullet locking system situated approximately 1m from ground level, fixed to each guide channel on all shutters; side anchors inside guide; central ground anchor on the bottom lath on shutters over 3 metres wide.

### CURTAIN SLAT

Single skin 76mm (3") curved steel with a wall thickness of 1.2mm.

Finish: Galvanised finish as standard. Option to powder coat any RAL / BS colour or to choose from a range of plastisol finishes (surcharges apply).

Visible Face:	76mm
Weight per m <sup>2</sup> :	16.7kg
Maximum Width:	7000mm
Maximum Area:	18m <sup>2</sup> (tubular) 49m <sup>2</sup> (outboard)

### CASING

Galvanised steel casing & end plates as standard.

Finish: Galvanised as standard. Powder coating available on request.

Guide Height (mm)	Plate Size (mm)
2250	355

3000	400
4000	450
5000	500
6000	550

These sizes apply to standard shutter roll methods only. Reverse rolled curtains will require larger casings than those shown. Plate sizes shown as a guide only and may increase dependent on shutter width. Note: Outboard motors are generally larger than the plate itself.

### BOTTOM RAIL

Galvanised steel 'L' or 'T' shaped bottom rail.

### GUIDE CHANNELS

Galvanised steel wind guide channels with brush weather seals and a width of 65mm.

Finish: Galvanised as standard. Powder coating available on request.

### OPERATION

Electric, Tubular Motor: Tubular motor with internal rocker or external key switch as standard.

Electric, Outboard Motor: Three phase outboard motor with push button control as standard. Motors can be direct drive, chain drive or inline design. All motors incorporate a chain manual override facility as standard.

Tubular & outboard motors have numerous control option variants such as timed closure, group, remote control or mobile phone activation.

CE compliant to all applicable regulations and directives.

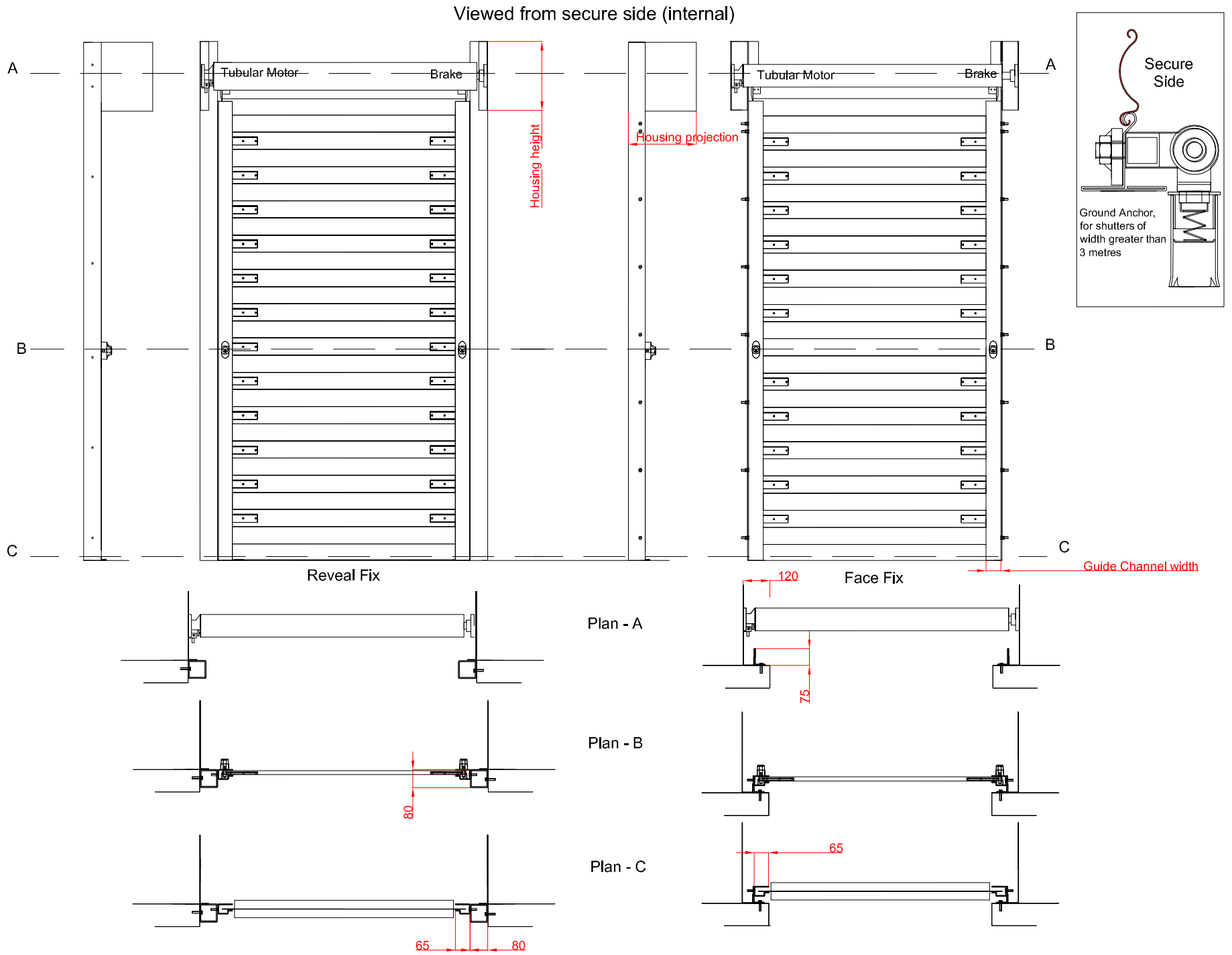
# S76 ELITE SR2



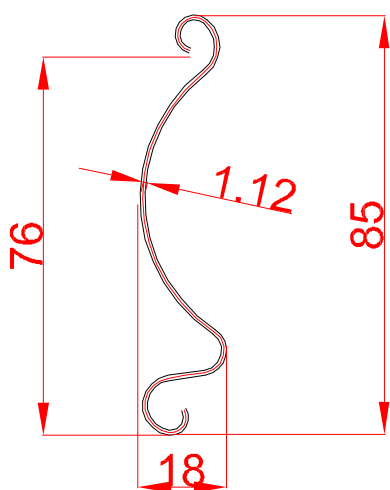
## LPCB CERTIFIED STEEL SECURITY SHUTTER :: TECHNICAL DATASHEET 22

Manufactured by Aluroll

### FRONT FACE & FIXING DETAIL



### SLAT PROFILE



### GUIDE CHANNELS

