

## INSULATED ALUMINIUM SECURITY SHUTTER :: TECHNICAL DATASHEET 1

Suitable for medium security domestic & commercial applications with a maximum area of 8m<sup>2</sup>. As well as security, the polyurethane foam core offers enhanced heat and sound insulation. Optional integrated light slots enable light ingress and airflow when the shutter is partially lowered. Suitable for internal or external face or reveal fit.



M411  
Non-Vented



M411  
Vented

### APPLICATIONS

Domestic and commercial sites requiring insulation and sound proofing. Suitable for internal or external face or reveal fit.

### CURTAIN SLAT

Aluminium double skinned aluminium polyester powder-coated slat with polyurethane foam insulating core.

Finish: White, Brown, Cream, Grey, Fir Green, Black or Silver as standard. Vented and unvented options available.

|                             |                        |
|-----------------------------|------------------------|
| Visible Face:               | 42mm                   |
| Weight per m <sup>2</sup> : | 4kg                    |
| Maximum Width:              | 3400mm                 |
| Maximum Area:               | 8m <sup>2</sup>        |
| Slat U-Value:               | 3.7 W/m <sup>2</sup> K |

### ENCLOSURE

Roll-formed aluminium box with pressure-moulded aluminium alloy end plates. Circular box available in 165mm and 205mm sizes (surcharge applies).

Finish: White or Brown as standard. Option to powder coat any RAL / BS colour (surcharge applies).

| Guide Height (mm) | Plate Size (mm) |
|-------------------|-----------------|
| 1050              | 150             |
| 1435              | 165             |
| 1720              | 180             |
| 2295              | 205             |
| 3350              | 250             |

Plate sizes shown as a guide only and may vary.

### BOTTOM SLAT

Extruded aluminium bottom slat with rubber weather seal.

### GUIDE CHANNELS

Extruded aluminium guide channels with brush inserts. Width of 45mm, 53mm, 66mm or 60HD.

Finish: White or Brown as standard. Option to powder coat any RAL / BS colour (surcharge applies).

### OPERATION

Electric: Somfy tubular motor & internal rocker or external key switch as standard. Safety brake as appropriate to comply with legislation. Manual override facility & crank handle as required (surcharge applies). Numerous control option variants such as group, remote or mobile phone activation.

Manual Cord Belt: A swivel winder coils the belt within a compact box.

Manual Rod & Crank: A geared rod and crank handle winds the shutter.

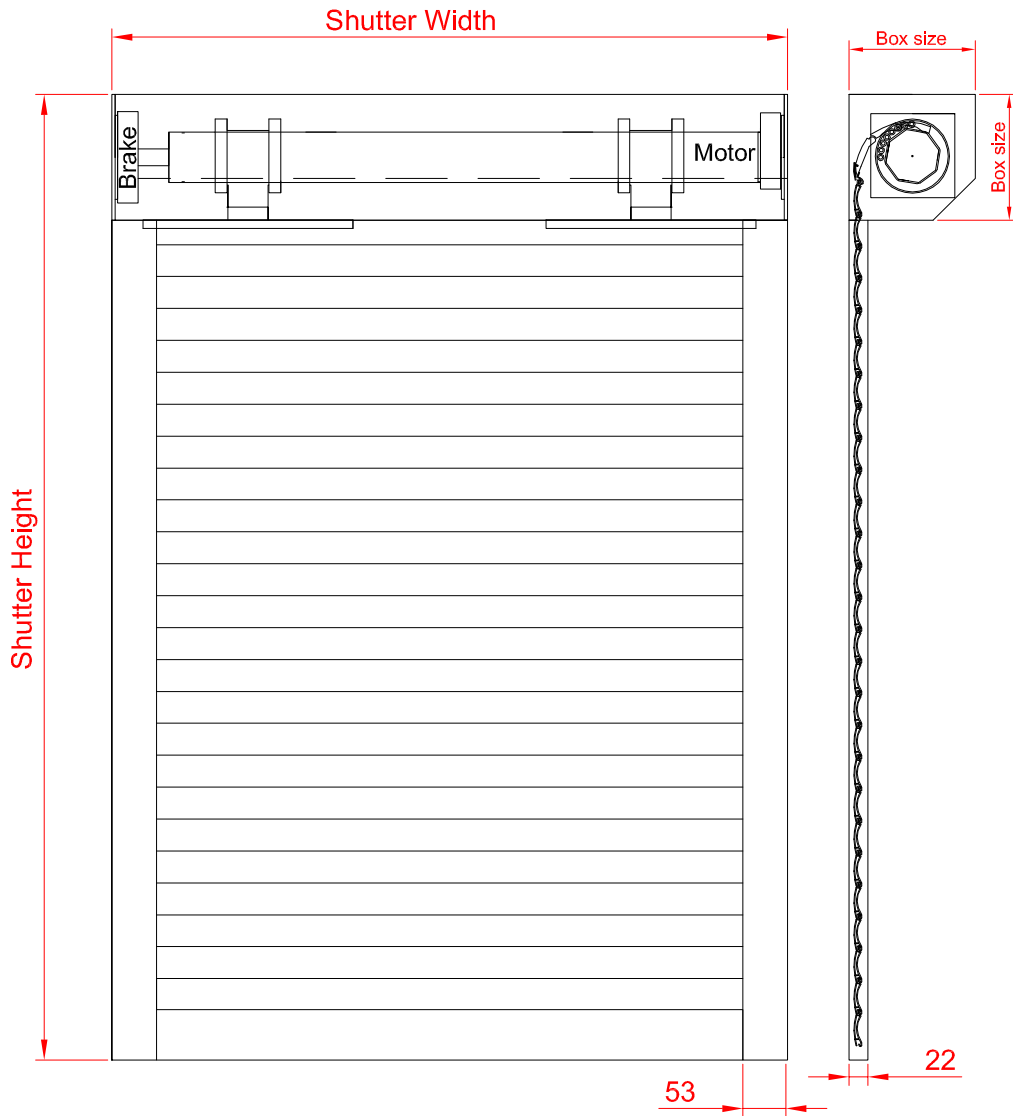
Manual Spring & Lock: A counter-balanced spring assembly with a key-lock bottom slat & handles.

CE compliant to all applicable directives and standards.

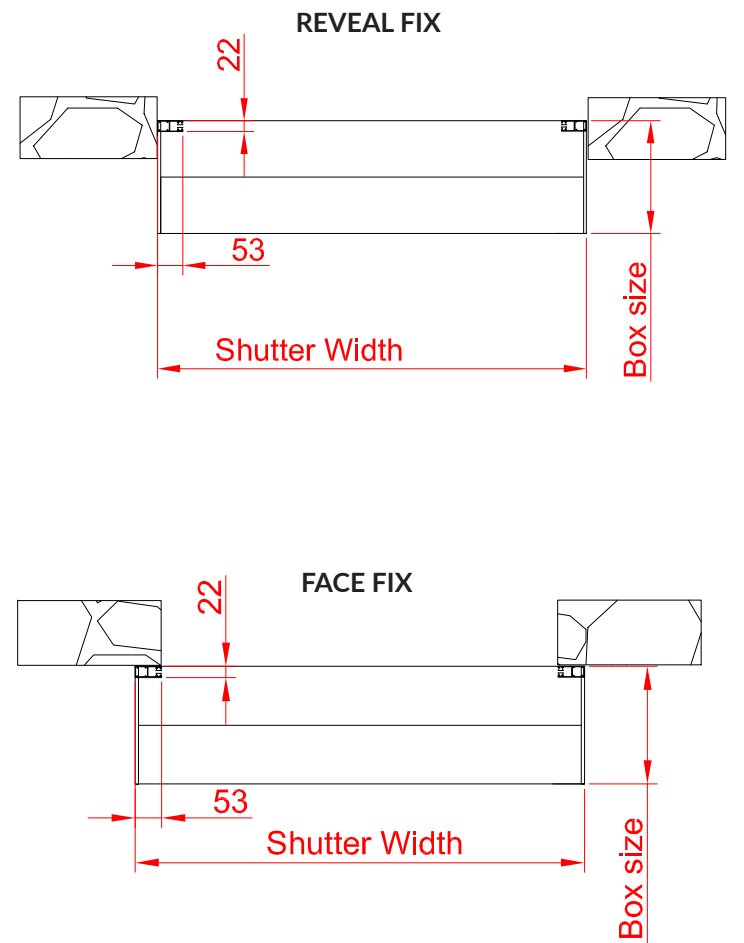
# M411

## INSULATED ALUMINIUM SECURITY SHUTTER :: TECHNICAL DATASHEET 1

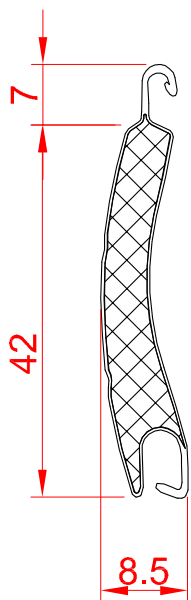
### FRONT FACE



### FIXING DETAIL



### SLAT PROFILE



### GUIDE CHANNELS

