

EXTRUDED ALUMINIUM SECURITY SHUTTER :: TECHNICAL DATASHEET 5

The E37 shutter is formed from double-skinned extruded aluminium. It is suitable for applications with small openings up to 12m² and enables the most compact box sizes of any of our roller shutters. A choice of operation types is available for the E37, with tubular motor, manual cord belt, manual spring and lock and manual rod and crank available.



APPLICATIONS

Domestic and commercial sites, up to 12m². The E37 rolling shutter is a robust and lightweight barrier which is concealed within a compact enclosure when fully open. It is ideal for window openings and pedestrian door entrances, either internally or externally mounted, with a face or reveal fit.

Punched (V37) or Perforated (P37) profile slats may be incorporated as required for full or partial vision.

CURTAIN SLAT

Double-skinned extruded aluminium.

Finish: White or Brown as standard. Option to powder coat any RAL / BS colour (surcharge applies).

Visible Face:	37.5mm
Weight per m ² :	7.5kg
Maximum Width:	4000mm
Maximum Area:	12m ² (electric operation) 9m ² (manual operation)

ENCLOSURE

Roll-formed aluminium enclosure with pressure-moulded aluminium end plates.

Finish: White or Brown as standard. Option to powder coat any RAL / BS colour (surcharge applies).

Guide Height (mm)	Plate Size (mm)
1050	150
1535	165
1820	180

2795	205
3550	250
4700	300

Plate sizes shown as a guide only and may vary.

BOTTOM SLAT

Extruded aluminium bottom slat with rubber weather seal.

GUIDE CHANNELS

Extruded aluminium guide channels with brush inserts. Width of 45mm, 53mm, 60mm HD or 66mm. Self-packing and circular surface guides available on request.

Finish: White or Brown as standard. Option to powder coat any RAL / BS colour (surcharge applies).

OPERATION

Electric: Tubular motor & internal rocker or external key switch as standard. Safety brake as appropriate to comply with legislation. Manual override facility & crank handle as required (surcharge applies). Numerous control option variants such as group, remote or mobile phone activation.

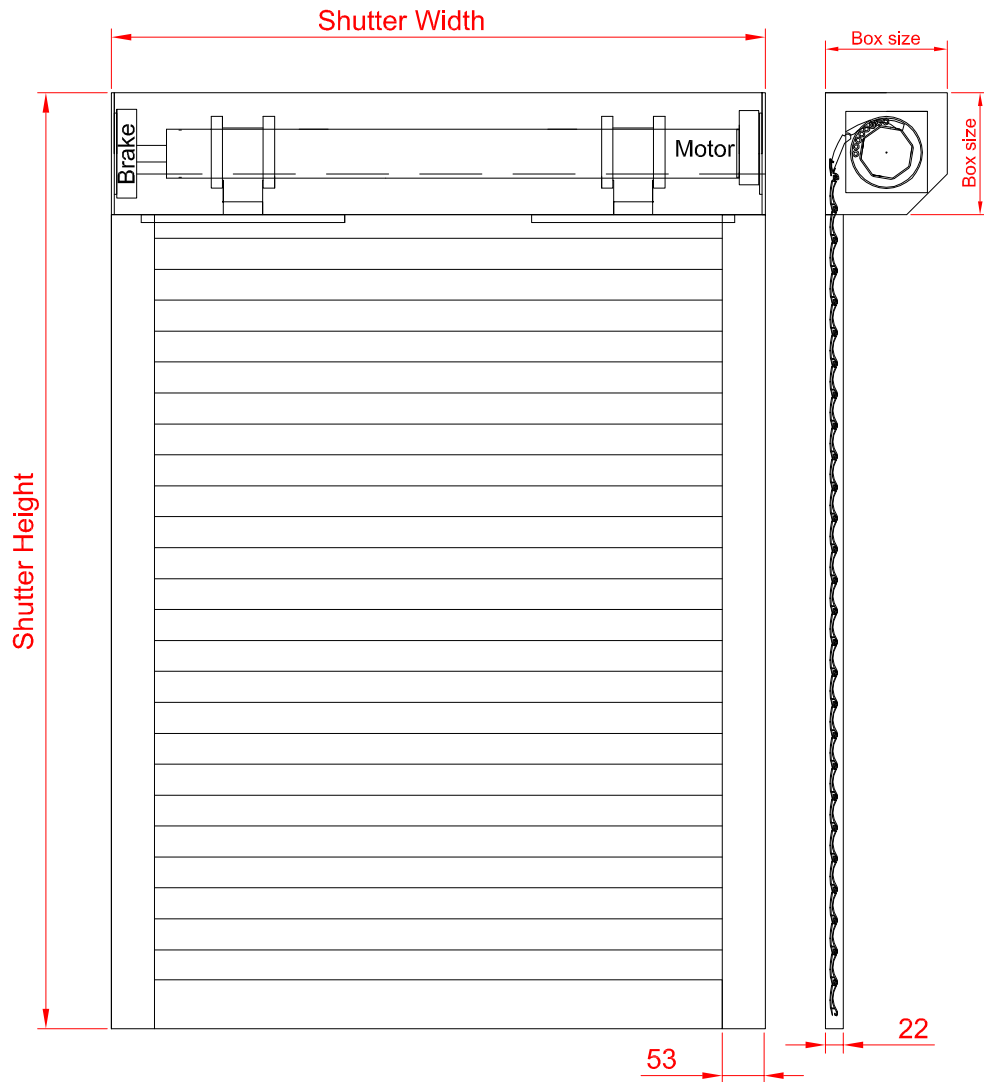
Manual Cord Belt: A swivel winder coils a belt attached to the rotating shutter barrel.

Manual Rod & Crank: Geared rod and crank handle winds the shutter.

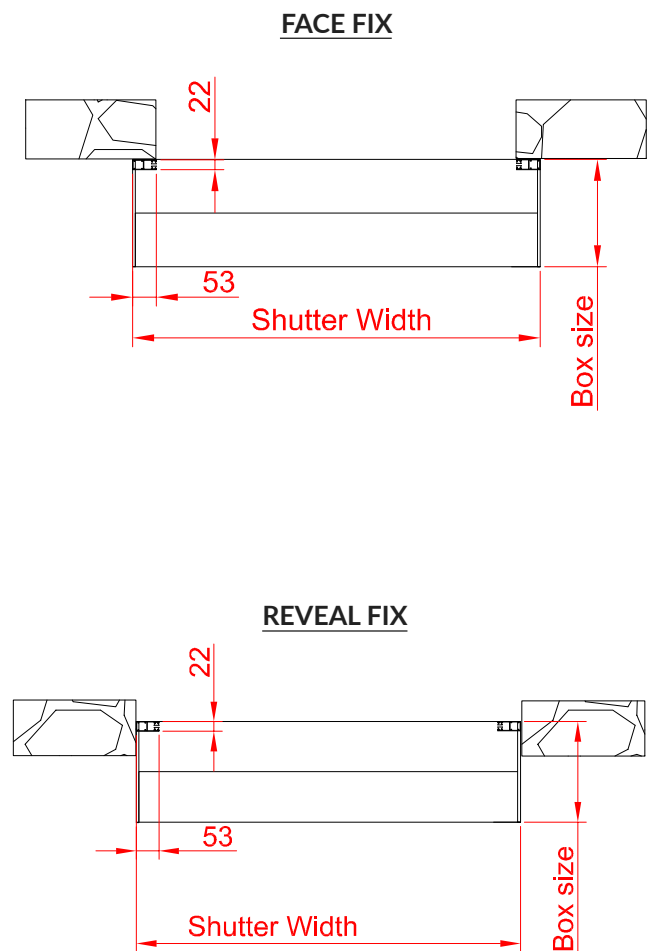
Manual Spring & Lock: A counter-balanced spring assembly with a key-lock bottom slat & handles.

CE compliant to all applicable directives and standards.

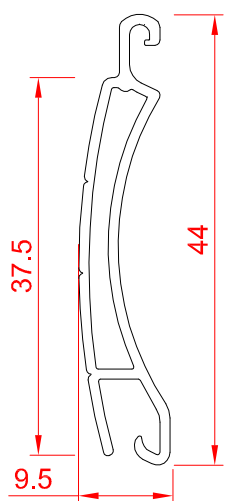
FRONT FACE



FIXING DETAIL



SLAT PROFILE



GUIDE CHANNELS

